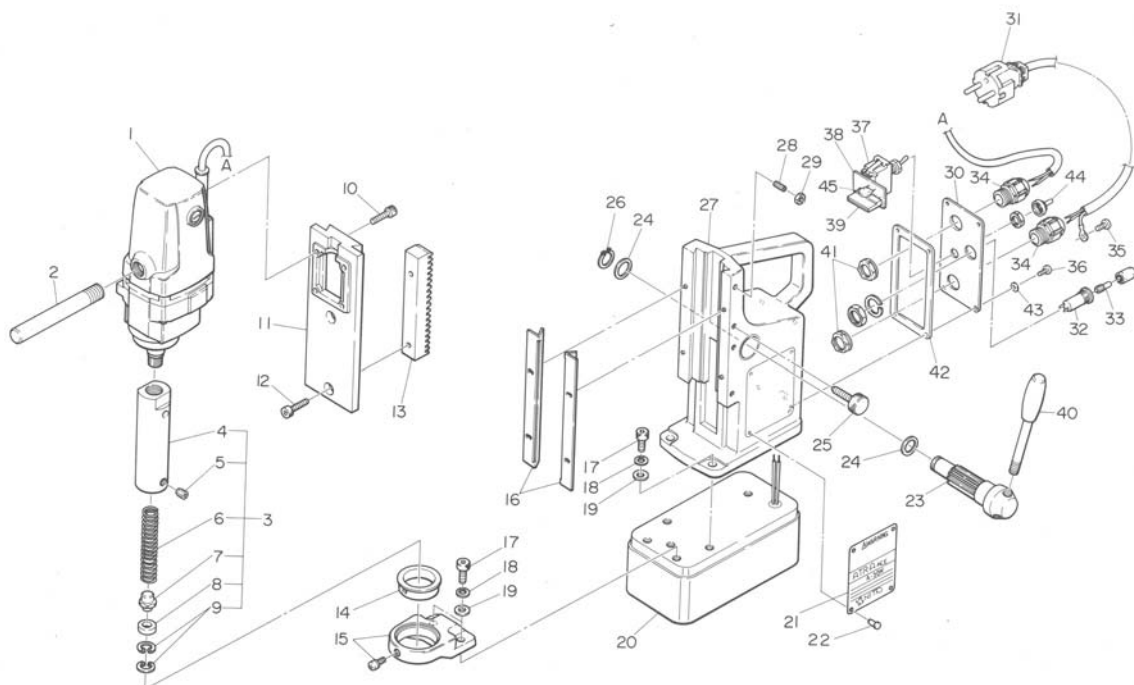


# ATRA ACE A-30W ASSEMBLY AND PARTS LIST



The Part Numbers with ( ) are included in the Ass'y parts written above them.

No.	Part No.	Part Name	Q'ty	Price
1	TB00943	Drill Motor Ass'y (220-240V)	1 set	
	(TB00947)	Carbon Brush Ass'y (110-120V)	1 set	
2	TB00895	Side Handle Ass'y	1 set	
3	TB01404	Arbor Body Ass'y	1 set	
4	TQ02007	Arbor Body	1	
5	(TP16723)	Hex. Screw 12 X 9.5	1	
6	(TQ00669)	Spring 1.6 X 16.2 X 87	1	
7	(TP15981)	Pilot Spacer	1	
8	(TP15848)	Spacer 10.5 X 19 X 5	1	
9	(TP13905)	Retaining Ring RTW-19	2	
10	TP00126	Hex. Bolt 5 X 16	4	
11	TQ01291	Slide Board	1	
12	TP07118	Hex. Bolt 6 X 16	2	
13	TP15111	Rack	1	
14	TP12772	Bushing	1	
15	TB00938	Bracket Sub Ass'y (220-240V)	1 set	
16	TP15103	Slide Plate	2	
17	TP01460	Hex. Bolt 8 X 20	5	
18	TP05049	Washer M8	5	
19	TP14818	End Plate B	1	
20	TB00659	Square Pole Ass'y (220-240V)	1 set	
21	TQ01302	Name Plate	1	
22	TP05136	Rivet No. 2 X 4.8	4	
23	TQ01542	Pinion Shaft	1	
24	TP05463	Pinion Washer 14.2 X 19 X 1	2	
25	TP02931	Set Screw	1	

No.	Part No.	Part Name	Q'ty	Price
26	TP02539	Retaining Ring G-14	1	
27	TB00933	Body Sub Ass'y	1 set	
28	TP04519	Hex. Screw 5 X 18	3	
29	TP02936	Hex. Nut M5	3	
30	TQ01625	Circuit Board	1	
31	TA99218	Cabtyre Cable Ass'y (220-240V)	1 set	
32	TP00164	Lamp Holder 220V	1	
33	TP00053	Neon Lamp	1	
34	TQ01675	Cable Connector	2	
35	LP08489	+ Screw 4 X 6	1	
36	TP02618	+ Screw 4 X 8	4	
37	TQ01299	Switch ST210 PA-51	1	
38	TB01479	Printed Circuit Board Ass'y Kit	1	
39	TQ01509	Silicon Rectifier D5SB60	1	
40	TQ01681	Rod Handle (Feed Handle)	3	
41	TQ01674	Cable Connector Nut	2	
42	TQ01758	Packing Body	1	
43	TQ00258	Seal Washer M4	4	
44	TQ01761	Waterproof Cap B13-12	1	
45	TQ01995	Varistor NR 15G 471K	1	

## ACCESSORIES

	TP04305	Hex. Wrench Key 2.5	1	
	TP00170	Hex. Wrench Key 6	1	
	TP14091	Spanner 7 X 8	1	
	TA99027	Safety Chain Ass'y	1 set	
	TQ02009	Instruction Manual	1	